

Assembly Guide For A Weighted Suction Dome

For Use With Pump

For use with a pump, the hosetail that has been supplied has been designed to fit 4 standard diameter hoses. Check the size of the hose you are going to use and then cut the hosetail to the correct size that is needed. Make sure not to block the breather hole that is located on the blank cap, if this is blocked it will cause a vacuum to your pump.

Assemble parts as shown in fig: 1 using a non-toxic adhesive.

(Fig:2 is a fully assembled dome)

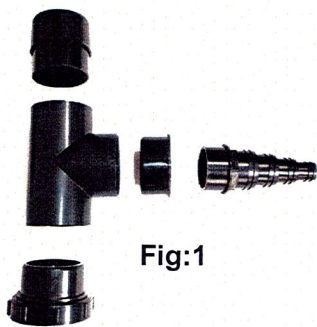


Fig:1

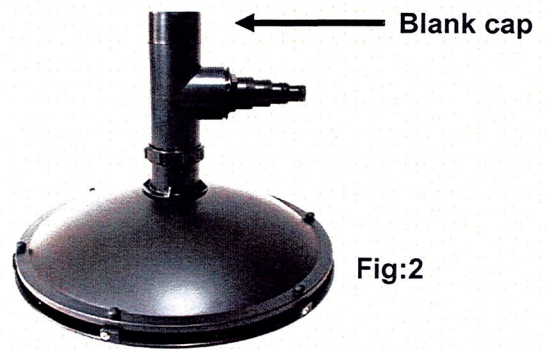


Fig:2

For Use With Gravity Fed Pump

To correctly assemble this product you will need 50/56mm dia. pipe

1. Locate where you are going to position your dome.
2. Cut pipe (A) to the correct height of your outlet pipe on your pond.
3. Cut pipe (B) to the correct length of pipe from your dome to your outlet of your pond.
4. Cut pipe (C) so it is above water level (minimum 100mm) this tubing is to eliminate a vacuum from being cased inside the system, the pipe allows the system to vent to the atmosphere.
5. Connect pipe (A), (B) and (C) to the tee (shown in fig:1) then connect pipe (A) to the dome, using the 'o' ring and nut supplied.

(Fig:2 is a fully assembled dome)

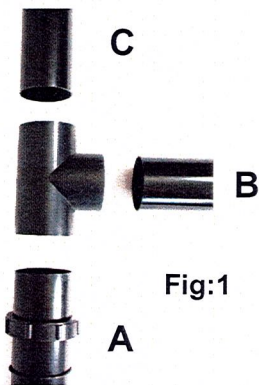


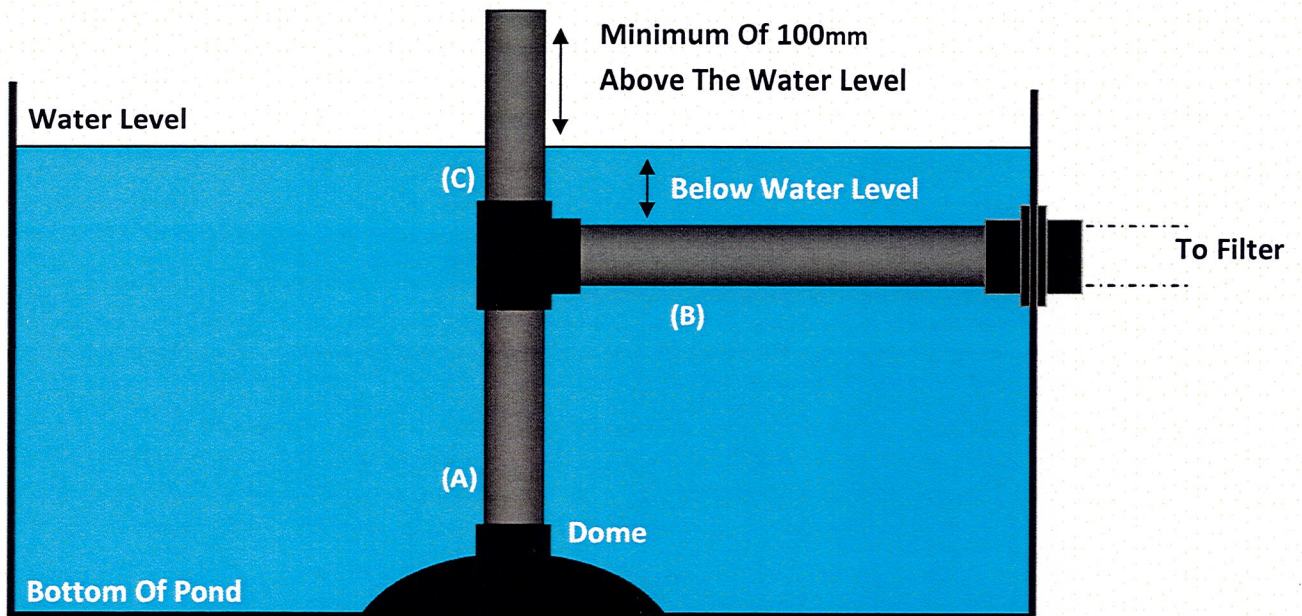
Fig:1



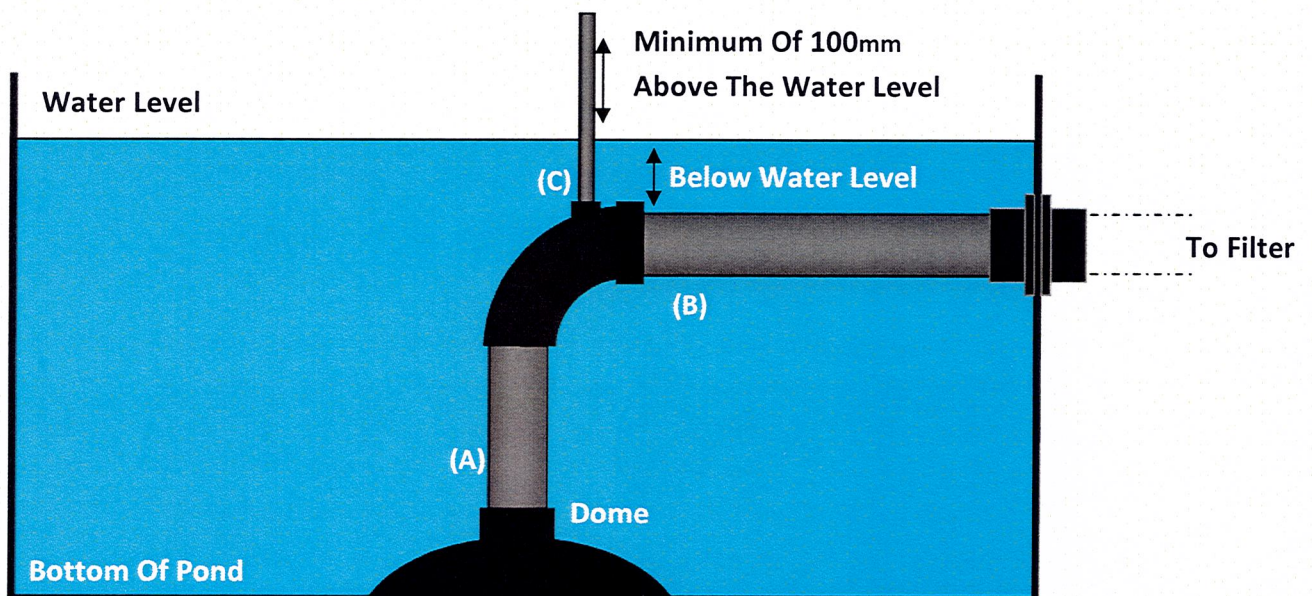
Fig:2

Diagrams of gravity feed systems

50/56mm System

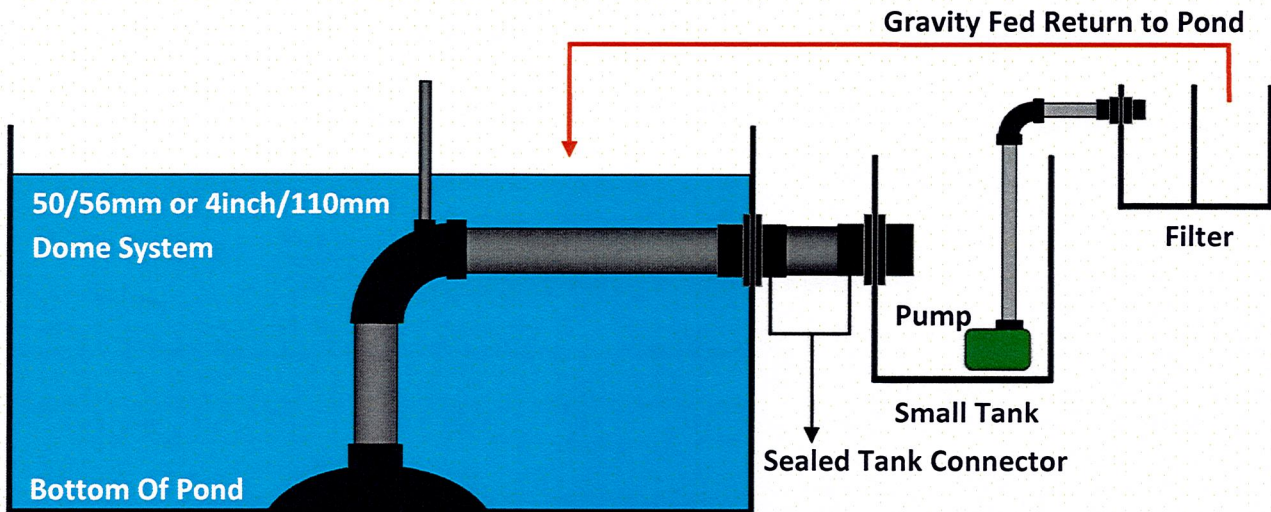


4"/110mm System

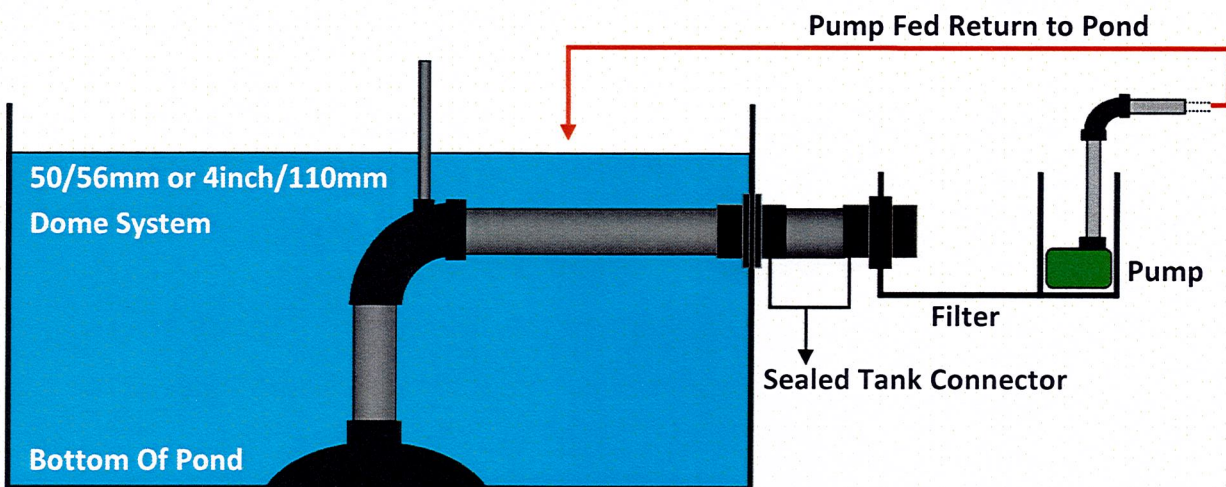


Diagrams of Gravity and Pump Return Systems

Gravity Return System



Pump Return System



Filling Of Your Weighted Dome



Fig 1

First Place your dome on a flat surface. This will allow for better stability and easier filling (Fig 1).

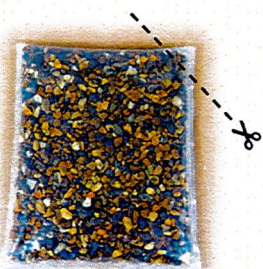


Fig 2

For easy filling of your dome cut 15-20mm off the corner of the bag of gravel supplied, this will allow the bag to be used as a funnel (Fig 2).

Pour the entire bag of gravel into the dome via the filling hole (Fig 3). To aide filling of the dome we advise you to tap the dome gently on regular intervals, this will allow the gravel to sit evenly on the base of the dome.



Fig 3

Once the dome has been filled with the entire bag of gravel supplied the next step will be fitting the bung into the filling hole, this is done by pushing firmly on the bung and making sure the bung is flush to the surface of the dome (Fig 4). Your dome is now weighted and ready for use.



Fig 4